

APPENDIX IV

V7 SOFTWARE UPGRADE - TS9007

INFORMATION



CONTENTS

Introduction 2
Conversion Procedure 3
Invalid Programming Options 4
Conversion of Version 6 Database to Version 7:
 List of Menu Options preserved intact 5
 List of Menu Options requiring additional
 programming or corrections 6, 7

INTRODUCTION

The Challenger Version 7 Software Upgrade is used to upgrade Version 6 Challenger Alarm Panels to provide the new functions available in Challenger Version 8 Alarm Panels.

This includes the ability to utilize the TS9000 Upload/Download Software for programming and/or System Management.

It is recommended that you read the whole of this guide before proceeding with an upgrade, in order to avoid the possibility of losing valuable information or uploading rubbish to the PC.

If using the TS9000 Upload/Download Software DO NOT Upload the Version 7 Database using the "Upload" command from the "File" menu. Instead, select the individual Database/s required from the "User" and "Installer" menus and use the "Comms" command to Upload just the Databases that you require. This avoids uploading databases which are corrupted in the conversion procedure or which will require a lot of re-programming.

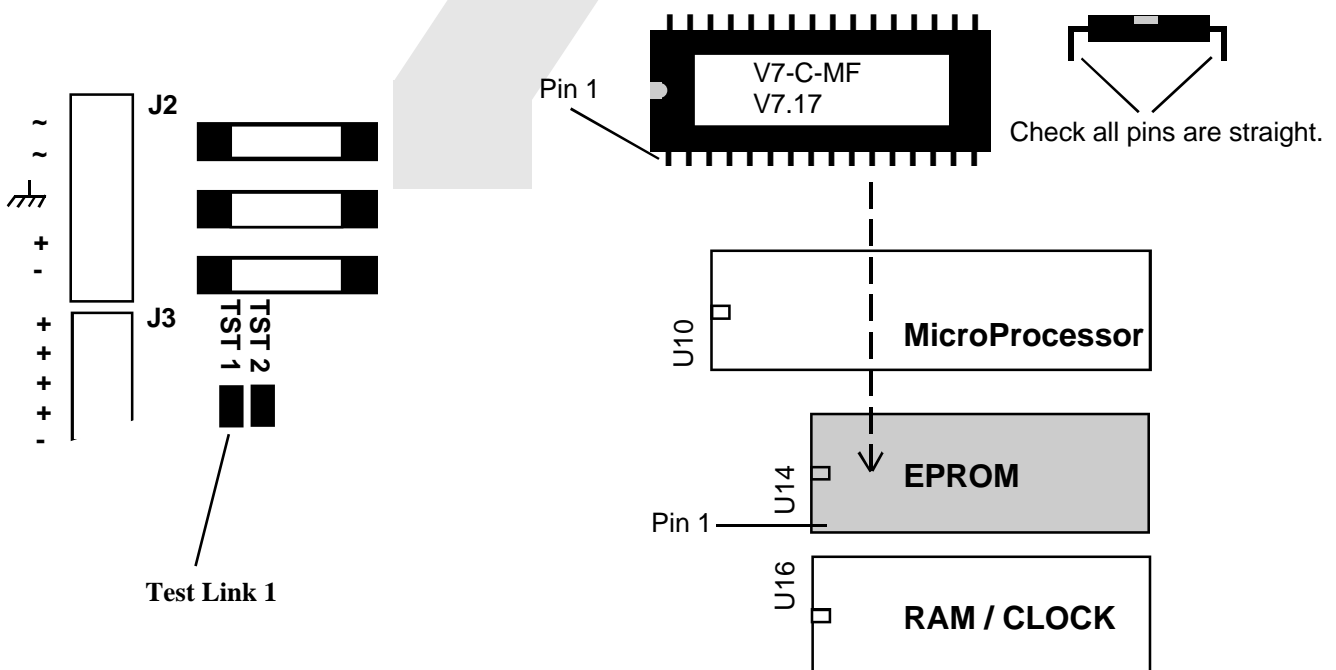
After Uploading the required Databases and recording the data in the databases not uploaded, reset the panel to the factory default via Installer Menu Option 14: -Reset Defaults. Select option 99 - All. The Version 7 Database in the TS9000 software can now be downloaded back into the panel.

Once upgraded, all programming is done according to The Challenger Version 8 Programming Guide (TS0294), and the Panel will function according to The Challenger Version 8 User Guide (TS0295).

CONVERSION PROCEDURE

Caution: Static preventative measures should be taken when installing this option.
 A conductive wrist strap should be worn and connected to 0V of the Challenger.
 i.e. "Batt -" or "Aux Pwr -" terminal.
 If a wrist strap is unavailable, touch a Challenger 0V terminal before commencing and avoid touching the pins of the chip as much as possible.

1. **Ensure that a hard copy of the Panel's programming details exists (including details of any 4 Door Controller or Lift Controller programming) and is up-to-date before commencing.** (Blank programming sheets to fill out can be copied from the rear of the Version 6 Challenger Programming Guide and the Door and/or Lift Controller Programming Guide)
2. Disconnect Power from the Challenger Panel.
3. Carefully remove the Version 6 EPROM (U14) which is located between the 64 pin Microprocessor chip (U10) and the RAM/Battery chipset (U16). *(See diagram below)*
4. Carefully fit the Version 7 EPROM in the socket where the V6 EPROM was (U14). Note orientation of the chip. *(See diagram below)*
5. Apply power to the Challenger Panel.
6. Momentarily apply a short to the header link "TST 1" which can be found just below the three fuses near J3. While the link is shorted, press the '*' (asterisk) on RAS 1. Now remove the short on the link "TST 1". Now press 'Enter' on RAS 1. This resets the Master Installer code to re-establish code pad access. *(See diagram below)*
7. The Panel is now ready for programming corrections and additions, either via the LCD Arming Station, or via the PC with Upload/Download Software (TS9000).
Refer to details on the following pages.



V7 SOFTWARE UPGRADE - TS9007

INVALID PROGRAMMING OPTIONS

The programming options listed below are not valid when using Version 7 upgrade software.

Option	Setting for Version 7
1. Installer Menu Option 9 - Communication Options: "Enable PSTN Line Fault Monitor".	Set to NO



CONVERSION OF VERSION 6 DATABASE TO VERSION 7.

Data programmed in the following Version 6 Installer & User Menu Programming options is preserved intact when upgraded to Version 7:

If Using Upload/Download Software it is safe to Upload these Databases to the PC, taking note of any cautionary messages.

User Menu Options:

14. Program Users.
20. Door and Floor (Lift) Groups. CAUTION! If Door & Floor Groups are Uploaded to the PC, All Groups will be uploaded, whether they are used or not.
21. Holidays.

Installer Menu Options:

1. Input Database. (Some unused inputs may indicate "Unsealed" when attempting to Arm the system. These inputs will need to be programmed as "Type 0 - No Input Type Programmed" in the Input Database).
2. Area Database. (All data preserved but new option "Siren Event Flag" will need to be programmed)
6. Timers.
8. Auto Reset.
10. Text Words.
13. Time Zones.
15. User Category Data
16. Relay Mapping.
 - Note 1. CAUTION! If Relay Mapping is Uploaded to the PC, All 256 Relays will be uploaded, whether they are used or not.
 - Note 2. Siren Driver Relay Numbers (i.e. 16, 32, 48, 64 etc.) will have to be re-programmed to follow the "Siren Event Flag/s" in the Area Database/s.
17. Arm/Disarm Timers.
18. Areas assigned to vaults.
19. Areas Linking.
20. Site Code. (All data preserved but new options "Site Code B" & "Offsets" need to be programmed if required)
21. Input Shunts.
22. Timezone to follow relay.

V7 SOFTWARE UPGRADE - TS9007

CONVERSION OF VERSION 6 DATABASE TO VERSION 7.

The following Version 6 Installer Menu Programming options are NOT preserved intact when upgraded to Version 7.

The list below indicates which options need to be checked, programmed and/or re-programmed if required.

Some of the options are new options while others are existing options that are changed in the conversion process:

User Menu Options:

- | | | |
|-----|-------------------------------|---|
| 16. | Isolate / Deisolate RAS / DGP | -Some Remote Arming Stations and DGPs may be Isolated after the conversion procedure and will need to be De-isolated.
(New User Menu Option - see V8 User guide) |
|-----|-------------------------------|---|

Installer Menu Options:

If Using Upload/Download Software it is safe to Upload these three Databases to the PC, as long as the options mentioned are checked and modified if necessary.

- | | | |
|----|-----------------|--|
| 2. | Area Database | -Siren Event Flag. (New Option - see V8 programming guide) |
| 5. | Alarm Groups | -Reset System Alarms. (New Option - see V8 programming guide)
-Auto Isolate Unsealed Inputs.

-Isolate/de-isolate RAS/DGP. (New User menu option) |
| 3. | Arming Stations | -Toggle Keyboard Control.
-Enter Key Opens Door Only. (New Option - see V8 programming guide)
-Door Event Flag on Alarm Codes.
-Reset Without Code. |

If using Upload/Download Software it is advisable NOT to Upload the following Databases to the PC. These databases should be programmed in the Upload/Download program then Downloaded to the Panel.

- | | | |
|----|-----------------------|--|
| 4. | Data Gathering Panels | -Door Alarm Group is no longer programmed in this option.
(Refer to V7/V8 Access Controller Programming)
-Printer details are no longer programmed in this option.
(Refer to Installer Menu Option 30: -Printer)
-A "DGP type" must now be programmed for each DGP to be polled.
Standard, Door Controller or Lift Controller.
(New Option - see V8 programming guide) |
| 7. | System Options | -Area/s selected to Totally Disarm. (New Option - see V8 programming guide)
-Time Before Rotate. (New Option - see V8 programming guide)
-Rotate Speed (New Option - see V8 programming guide)
-System Alarms set Siren/Strobe (New Option - see V8 programming guide)
-System Alarms Latch (New Option - see V8 programming guide)
-Financial Options (New Option - see V8 programming guide)
-Display User Flags (New Option - see V8 programming guide) |

V7 SOFTWARE UPGRADE - TS9007

There are other V6 System options relating to reporting which have been moved to Option 9: -Communication Options. Some will need to be re-programmed, while others are preserved. Refer to Option 9: -Communication Options, below.

9. Communication Options
- Reporting Format (New Option - see V8 programming guide)
 - Direct Line Address (Moved from Option 7)
 - Computer Address (Moved from Option 7)
 - Securitel Hard ID (Moved from Option 7)
 - Test Call Time (New Option - see V8 programming guide)
 - Multi Break Alarms (Moved from Option 7)
 - Multi Break Restorals (Moved from Option 7)
 - Always Terminate Direct Line (New Option - see V8 programming guide)
 - Remote System Control (Moved from Option 7)
 - Common Open/Close (Moved from Option 7)
 - Disable Isolates Triggering Dialler (New Option - see V8 programming guide)
 - Answering Machine Defeat (New Option - see V8 programming guide)
 - PSTN Line Fault Monitor MUST be set to NO. (Invalid Option on V7)
 - Computer Port Conn via Modem (New Option - see V8 programming guide)
 - Dial Alarm Events to Computer Instantly (New Option - see V8 programming guide)
 - Dial Access Events to Computer Instantly (New Option - see V8 programming guide)
 - Dial Events via Computer Port (New Option - see V8 programming guide)
 - Dial Events via On-board Modem (New Option - see V8 programming guide)
28. Remote Controllers.
- This new installer Menu Option replaces V6 User Menu Opt. 16: - Door Data, and is used to Program Intelligent 4 Door Controllers and Lift Controllers.
- Any existing 4 Door Controllers or Lift Controllers used in a system that is being upgraded to Version 7 MUST ALSO be upgraded to Version 7 Software, defaulted, and completely re-programmed.
- New 4 Door Controllers or Lift Controllers added to a Version 7 system, MUST be fitted with Version 7 software or later.
- 29 to 34. Security Password. Printer.
Battery Testing. Custom Message.
Program Next Service. Program Summary Event Flags.

Are New Installer Menu Options and require programming if their functions are to be used. If the functions are not used they will not require corrections.

35. Macro Logic
- The new macro logic option fills up with random data when the Version 7 Upgrade is fitted.
- If programming manually it will need all data to be zeroed.
- If programming via Upload/Download DO NOT Upload the Macro Logic Database, but Download the Default Macro Logic Database from the PC to the Challenger Panel to clear the random data.



The Challenger is Designed and Manufactured by:

Tecom Systems Pty. Ltd.
A.C.N. 005 523 562
646 Whitehorse Road
MITCHAM VICTORIA AUSTRALIA 3132

Telephone: 03 9259 4700
Facsimile: 03 9259 4799
www.tecom.com.au

© Tecom Systems Pty. Ltd. 1997